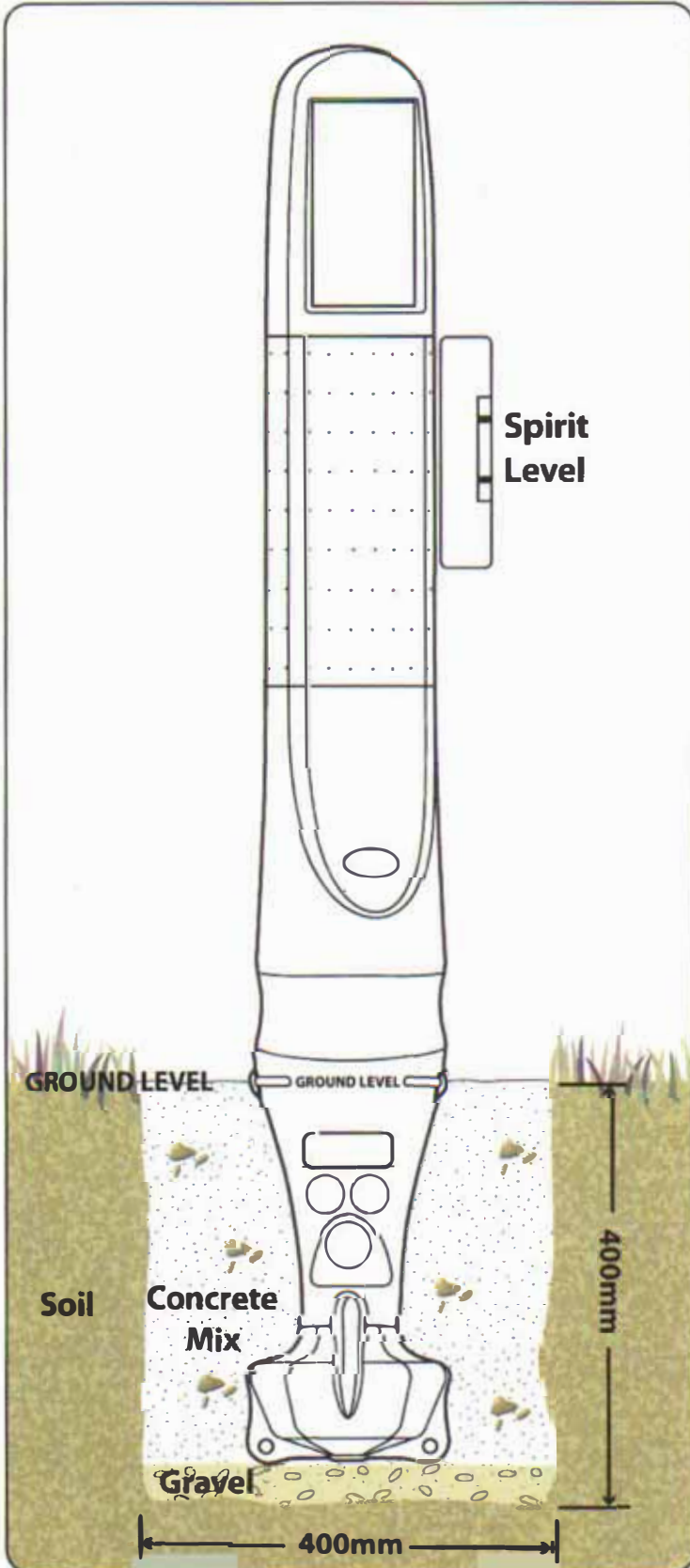


VERGEMASTER RX INSTALLATION INSTRUCTIONS

NOTE: Ensure that all relevant personnel read the points listed below and that a copy is passed on to staff involved with the installation. Please also refer to the 'Manual Handling Operations Regulations 1992' during the handling of the product and materials used for installation.

EXTENDED-BASE FIXING (REBOUND MODEL)



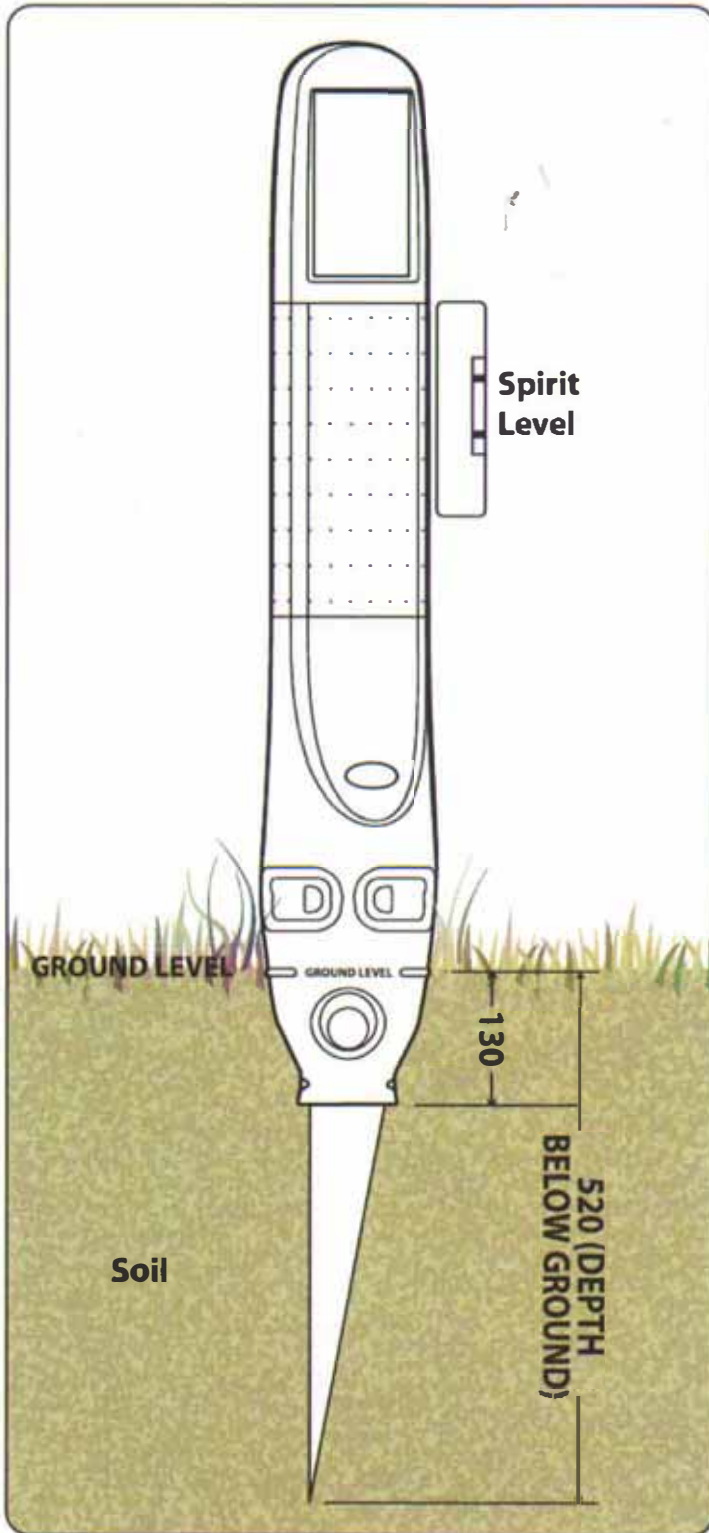
- 1 After first checking the intended site for buried underground services, mark up and dig hole approximately 400mm x 400mm x 400mm minimum.
- 2 Place gravel to a depth of 50mm into the hole. Bed the post into the gravel until the ground level indicator is aligned with the top surface. (Ensure reflectors are positioned in correct orientation. Red reflector faces oncoming traffic on the near-side, white reflector faces oncoming traffic on the off-side.)
- 3 Simply fill the hole with quick setting concrete (we recommend using Grade QC10 concrete) and tamp down and level the concrete. Finally ensure the post is vertical using a spirit level.

Alternatively, if suitable the hole can be back-filled with the original earth dug from the hole, the soil should be compacted and levelled.

Note: avoid contact with hot tarmac as this will seriously impair the performance of the Vergemaster RX.

Please note that diagrams are not to scale

STAKE-TYPE FIXING (NON-REBOUND MODEL)



- 1 After first checking the intended site for buried underground services, drive the timber stake into the ground using a wooden mallet (ensure to protect the top of stake with a piece of wood when driving into ground). Drive into the ground until the circular recess in the stake is at ground level.
- 2 Locate Vergemaster RX post over the stake, protecting the top with a piece of wood, and force into position (a rubber mallet may be required). Ensure reflectors are positioned in correct orientation. Red Reflector faces oncoming traffic on the near-side. White Reflector faces oncoming traffic on the off-side. Automatic stake locking mechanism prevents removal of Vergemaster RX post, from the stake.

We recommend that the stake is installed by driving directly into the ground, but exact installation requirements should be assessed from a site survey.

Not suitable for hard ground.

Note: avoid contact with hot Tarmacadam as this will seriously impair the performance of the Vergemaster RX and timber stake.

Please note that diagrams are not to scale

SURFACE MOUNTED FIXING

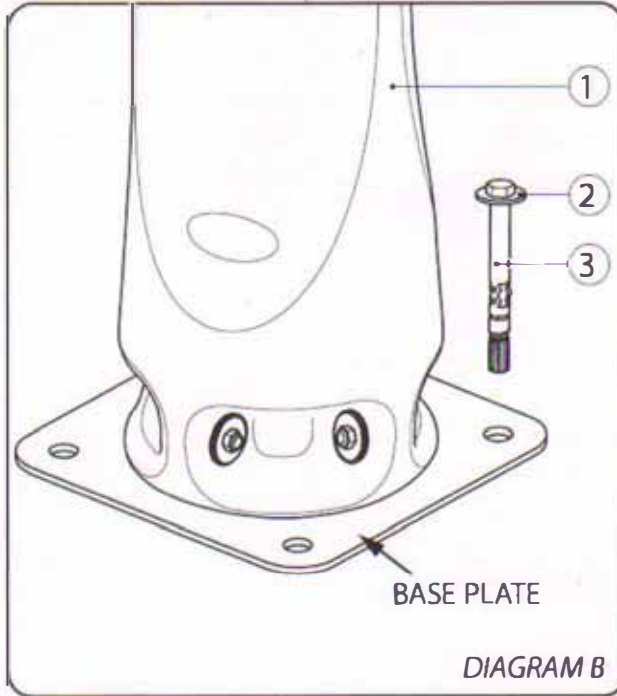
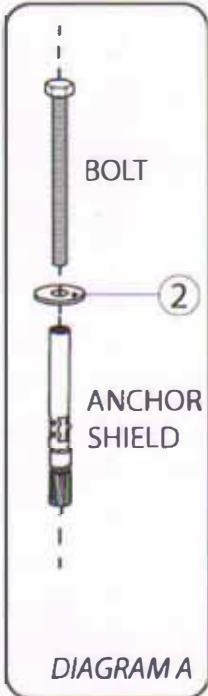
NEW INSTALLATIONS

KIT CONTENTS:

| | |
|--------------------------------|-----|
| ITEM 1. Bollard c/w Base Plate | x 1 |
| ITEM 2. Washer 10 x 35 x 1.5mm | x 4 |
| ITEM 3. M10x100 Anchor Bolt | x 4 |

TOOLS REQUIRED:

- 17mm Spanner
- 13mm Diameter Drill Bit
- Appropriate Electric Drill
- Hammer



- Unscrew the Bolt from the Anchor Shield & discard the small washer then thread the larger Washer (Item 2) onto the bolt and re-assemble. Take care to replace the base of the Anchor Shield as this component will become loose. See Diagram A.

- Position the Bollard (Item 1) on to the intended site. Ensure reflectors are positioned in the correct orientation- red reflector faces oncoming traffic on the near-side, white reflector faces oncoming traffic on the off-side. [Before drilling, ensure that the hole centres are a minimum of 100mm from the edge of the concrete foundation.]

- Drill the holes (using the base plate as a template) with a 13mm diameter drill bit no less than 110mm deep.

- Insert an assembled Anchor Bolt into each of the four holes, a hammer may be required to tap them in.

- Using a 17mm spanner, loosely tighten each of the Anchor Bolts, then fully tighten to complete the installation.

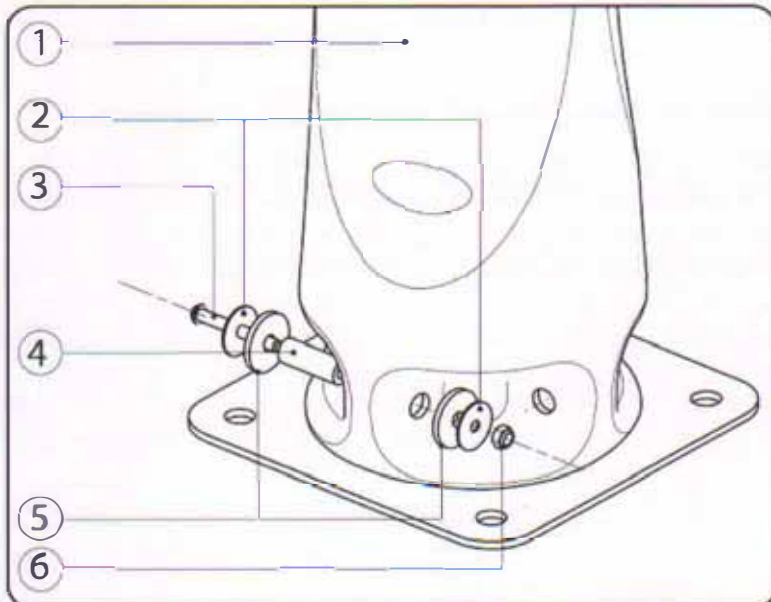
REPLACING A DAMAGED BOLLARD WITH A SPARE BOLLARD TOP

KIT CONTENTS:

| | |
|-------------------------------------|-----|
| ITEM 1. Bollard | x 1 |
| ITEM 2. Washer M6 x 6.5 x 25mm | x 8 |
| ITEM 3. Screw Button Head M6 x 55mm | x 4 |
| ITEM 4. Spacer M6 x 12.5 x 35 | x 4 |
| ITEM 5. PVC Washer 6.4 x 30 x 3mm | x 8 |
| ITEM 6. M6 Nyloc Nut | x 4 |
| ITEM 7. Decorative Nut Cap M6 | x 4 |

TOOLS REQUIRED:

- 4mm Allen Key (included within kit)
- 10mm Spanner



- Remove the four fixings used to attach the damaged bollard to the ground plate (leaving the four ground fixing bolts in place).

- Replace with your new bollard in the correct orientation aligning the holes in the bollard base with the holes in the ground plate.

- Arrange the items as shown in the diagram and tighten using the 4mm Allen Key provided and a 10mm Spanner. Repeat for the other three fixing points.

Please note that diagrams are not to scale

IMPORTANT NOTE: PLEASE ENSURE ALL RELEVANT PERSONNEL READ THE POINTS LISTED WITHIN THIS LEAFLET AND THAT A COPY IS GIVEN TO STAFF INVOLVED WITH THE INSTALLATION AND MAINTENANCE OF THIS PRODUCT.
SAFETY NOTE: PLEASE REFER TO 'THE MANUAL HANDLING OPERATIONS REGULATIONS 1992' DURING HANDLING.



AND VERGEMASTER RX ARE TRADEMARKS OR REGISTERED TRADEMARKS OF GLASDON GROUP OR ITS SUBSIDIARIES IN THE U.K. AND OTHER COUNTRIES

- A planned maintenance schedule or regular inspection is recommended, replacing components as necessary.
- Replacement components are available direct from GLASDON
- GLASDON cannot be held responsible for claims arising from incorrect installation, unauthorised modifications or misuse of the product.

Issue 2 May 2010 Stock no. C000/0333
© Copyright 2012

Glasdon UK Ltd reserve the right to alter specifications without prior notice.



Glasdon

Glasdon U.K Limited

Preston New Road
BLACKPOOL
Lancashire FY4 4UL

Tel: 01253 600410

Fax: 01253 792558

email: sales@glasdon-uk.co.uk

web: www.glasdon.com